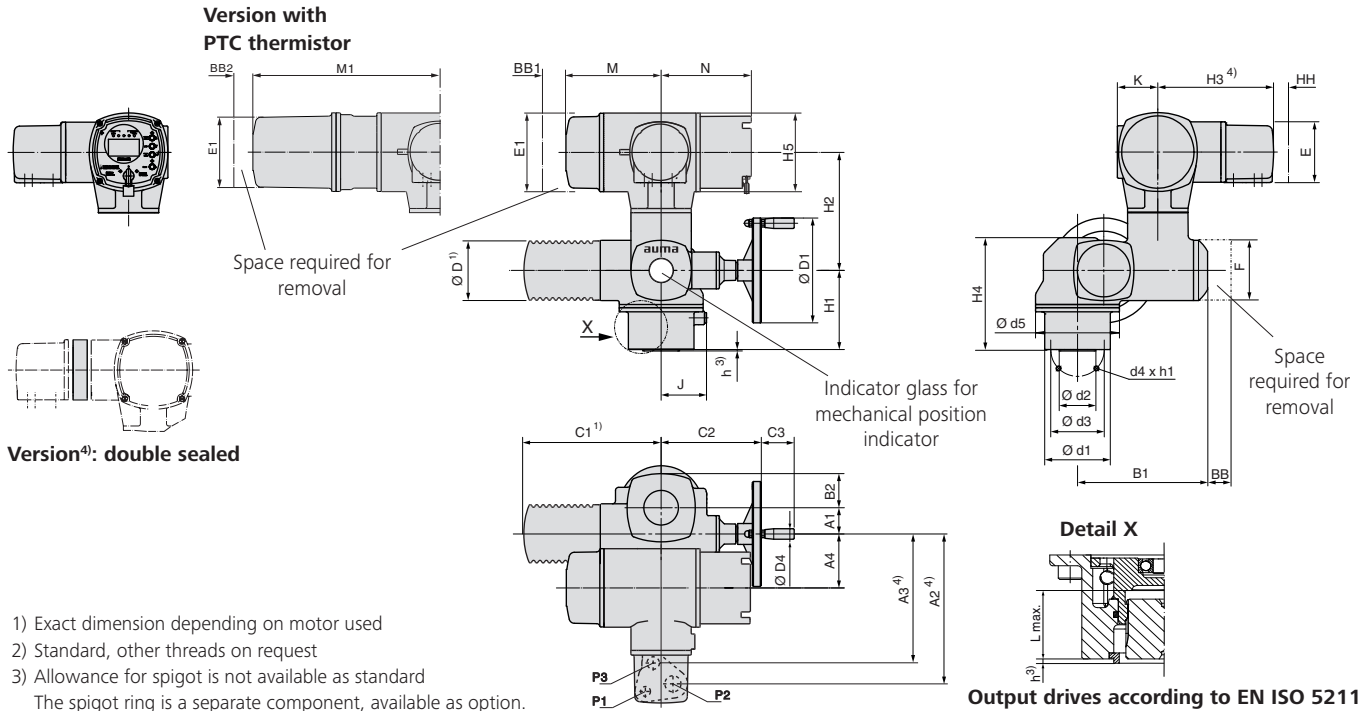


**Dimensions Part-turn actuators with AC integral with controls (also for HART)**

With AUMA plug/socket connector and 3-phase AC motor



- 1) Exact dimension depending on motor used
- 2) Standard, other threads on request
- 3) Allowance for spigot is not available as standard  
The spigot ring is a separate component, available as option.
- 4) Option: Enclosure protection IPxx-DS, cover for electrical connection with additional frame
- 5) Combined flange F05/F07 without spigot (standard). As an alternative an individual flange F07 can be ordered with/without spigot

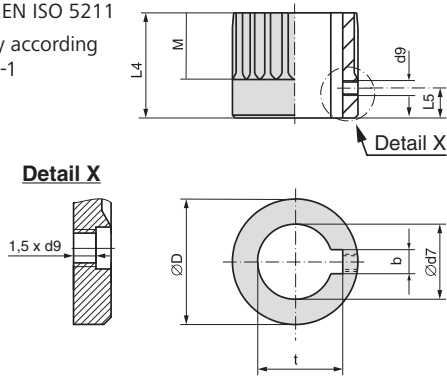
**Output drives according to EN ISO 5211**  
For dimensions see overleaf

Dimensions	SQ 05.2/AC 01.2		SQ 07.2/AC 01.2			SQ 10.2/AC 01.2		SQ 12.2/AC 01.2		SQ 14.2/AC 01.2		
	EN ISO 5211	F05 <sup>5)</sup>	F07 <sup>5)</sup>	F05 <sup>5)</sup>	F07 <sup>5)</sup>	F10	F10	F12	F12	F14	F14	F16
A1			40				50		50			50
A2 <sup>4)</sup>			287 (314 <sup>4)</sup> )				287 (314 <sup>4)</sup> )		287 (314 <sup>4)</sup> )			287 (314 <sup>4)</sup> )
A3 <sup>4)</sup>			247 (274 <sup>4)</sup> )				247 (274 <sup>4)</sup> )		247 (274 <sup>4)</sup> )			247 (274 <sup>4)</sup> )
A4			103				103		103			103
B1			238				248		248			248
B2			50				65		65			65
C1 <sup>1)</sup>			265				265		265			265
C2			186				191		191			191
C3			63				63		63			63
Ø D <sup>1)</sup>			101				101		101			101
Ø D1			160				200		200			200
Ø D4			20				20		20			20
E			115				115		115			115
E1			150				150		150			150
F			115				115		115			115
H1		134		134		160	151	183	175	215	210	260
H2			225				225		225			225
H3 <sup>4)</sup>			220 (247 <sup>4)</sup> )				220 (247 <sup>4)</sup> )		220 (247 <sup>4)</sup> )			220 (247 <sup>4)</sup> )
H4		193		193		217	214	246	238	278	273	323
H5			150				150		150			150
J			69				86		109			128
K			75				75		75			75
L max.		40		40		66	50	82	61	101	75	125
M			265				265		265			265
M1			349				349		349			349
N			173				173		173			173
P1 <sup>2)</sup>			M20 x 1.5				M20 x 1.5		M20 x 1.5			M20 x 1.5
P2 <sup>2)</sup>			M32 x 1.5				M32 x 1.5		M32 x 1.5			M32 x 1.5
P3 <sup>2)</sup>			M25 x 1.5				M25 x 1.5		M25 x 1.5			M25 x 1.5
BB min.			180				180		180			180
BB1 min.			70				70		70			70
BB2 min.			90				90		90			90
HH min.			30				30		30			30
Ø d1		90		90		125	125	150	150	175	175	210
Ø d2		-		-		70	70	85	85	100	100	130
Ø d3		50	70	50	70	102	102	125	125	140	140	165
d4		4 x M6	4 x M8	4 x M6	4 x M8	4 x M10	4 x M10	4 x M12	4 x M12	4 x M16	4 x M16	4 x M20
Ø d5			125				160		210			225
h <sup>3)</sup>		-		-		2.5	2.5		2.5	3.5	3.5	4.5
h1		12	15	15		16	18	19	22	25	29	32

We reserve the right to alter data according to improvements made. Previous documents become invalid with the issue of this document.

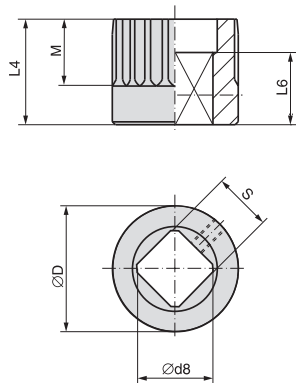
**Dimensions Couplings according to EN ISO 5211**

Bore acc. to EN ISO 5211  
With keyway according to DIN 6885-1



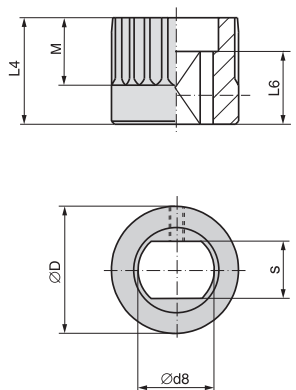
Dimensions	SQ 05.2		SQ 07.2		SQ 10.2		SQ 12.2		SQ 14.2	
EN ISO 5211	F05	F07	F07	F10	F10	F12	F12	F14	F14	F16
Ø D	41.75	41.75	41.75	51.75	51.75	51.75	67.6	67.6	81.6	81.6
b JS9 <sup>1)</sup>	6	6	6	8	8	8	10	10	14	14
Ø d7 H8 <sup>2)</sup>	18	22	22	28	28	28	36	36	48	48
Ø d7 max.	25.4	25.4	25.4	38	38	38	50	50	60	60
d9 <sup>3)</sup>	M5	M5	M5	M6	M6	M6	M6	M6	M6	M6
L4	35	35	60	45	75	75	55	95	65	115
L5 <sup>3)</sup>	8	8	8	10	10	10	10	10	10	10
M	20	20	20	30	30	30	40	40	47	40
t <sup>1)</sup>	20.8	24.8	24.8	31.3	31.3	31.3	39.3	39.3	51.8	51.8

Square bore according to EN ISO 5211



Dimensions	SQ 05.2		SQ 07.2		SQ 10.2		SQ 12.2		SQ 14.2	
EN ISO 5211	F05	F07	F07	F10	F10	F12	F12	F14	F14	F16
Ø D	41.75	41.75	41.75	51.75	51.75	51.75	67.6	67.6	81.6	81.6
Ø d8 min. <sup>2)</sup>	18.1	22.2	22.2	28.2	28.2	28.2	36.2	36.2	48.2	48.2
Ø d8 max.	28.2	28.2	28.2	40.2 <sup>4)</sup>	40.2 <sup>4)</sup>	40.2 <sup>4)</sup>	48.2	48.2	60.2	60.2
L4	35	35	60	45	75	75	55	95	65	115
L6 min.	30	30	30	30	30	30	30	30	40	40
M	20	20	20	30	30	30	40	40	47	40
s H11 <sup>2)</sup>	14	17	17	22	22	22	27	27	36	36
s H11 max.	22	22	22	30 <sup>4)</sup>	30 <sup>4)</sup>	30 <sup>4)</sup>	36	36	46	46

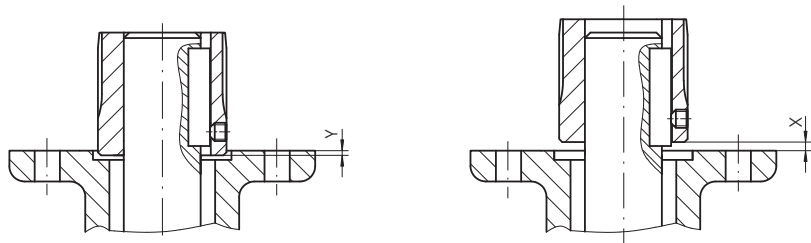
Bore with two-flats according to EN ISO 5211



Dimensions	SQ 05.2		SQ 07.2		SQ 10.2		SQ 12.2		SQ 14.2	
EN ISO 5211	F05	F07	F07	F10	F10	F12	F12	F14	F14	F16
Ø D	41.75	41.75	41.75	51.75	51.75	51.75	67.6	67.6	81.6	81.6
Ø d8 min. <sup>2)</sup>	18.1	22.2	22.2	28.2	28.2	28.2	36.2	36.2	48.2	48.2
Ø d8 max.	28.2	28.2	28.2	36.2	36.2	36.2	48.2 (48 <sup>5)</sup> )	48.2 (48 <sup>5)</sup> )	60.2	60.2
L4	35	35	60	45	75	75	55	95	65	115
L6 min.	25	25	25	25	25	25	30	30	40	40
M	20	20	20	30	30	30	40	40	47	40
s H11 <sup>2)</sup>	14	17	17	22	22	22	27	27	36	36
s H11 max.	22	22	22	27	27	27	36 (41 <sup>5)</sup> )	36 (41 <sup>5)</sup> )	46	46

Mounting position of coupling

X max.	3	4	5	8
Y max.	2	5	10	10



- 1) Dimensions depend on Ø d7, refer to DIN 6885-1
- 2) Recommended size according to EN ISO 5211
- 3) Thread with grub screw
- 4) According to DIN 79
- 5) According to DIN 475